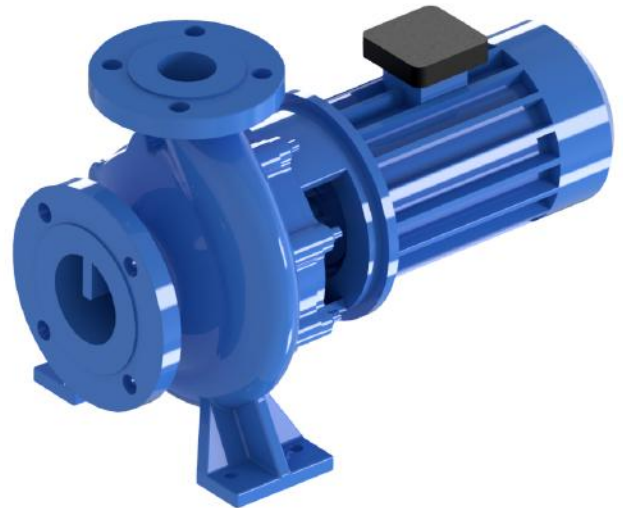
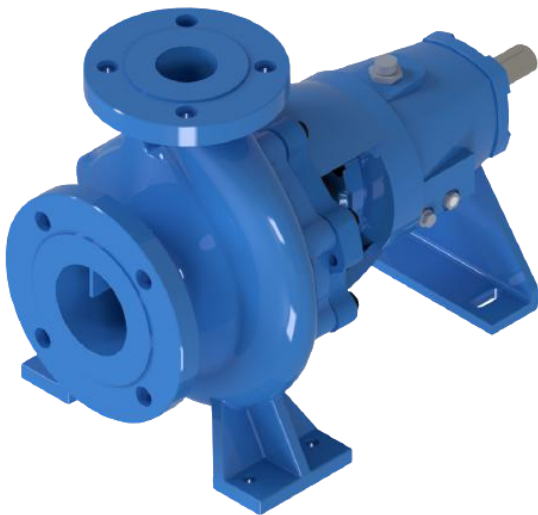
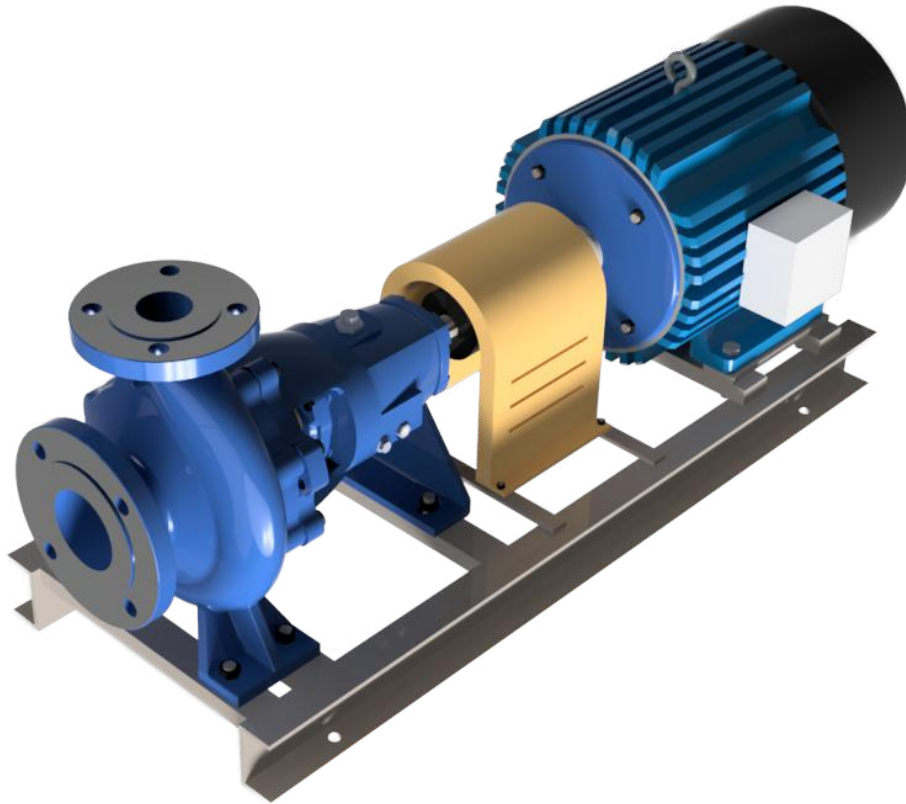


Product Catalog

Centrifugal Process Pump Type "CP" & "CPM"



**WEL-TECH
EQUIPMENTS PVT LTD**

Centrifugal Process Pumps & Spares

Overview

Our Company

Manufacturer

of centrifugal process pumps with utmost quality standards and wide range of pumping solutions for any customer needs sets us apart as one of the most established manufacturer in India.

Strict

quality standards and our drive to develop the most power efficient pumping solutions have centralized us as the most diverse and efficient manufacturer with products available in all segments from simple water transfer pumps to strict FDA certified Pumping solutions in chemical and pharmaceutical industries.

Based in

Ahmedabad, Gujarat, India

With

service support across the globe through various and well connected suppliers and dealers, our global footprint allows us with a wide network of business and supply. We can supply spares and pumps within a small time frame to ensure a steady drive in your business with lowest possible downtime.

We pride in

our customer support and always on hand approach, marketing teams are guided and offer support anytime anywhere. We do not believe in routing our customers through various channels for sales and support.

The contact

you save is the contact you will call for all your needs.

Centrifugal Process Pumps "CP"

Your One Stop Solution for all pumping needs!

Designed according to the EN733 (Din 24255) standards, CP type pump offers you a range of pumps for a range of needs, with interchangeable parts for a worry free maintenance and a steady supply of spares for your needs.

The pump has a wide range of shaft sealing options, varying from gland packing to balanced cartridge double seal. Standard and heavy duty bearings are available, either grease or oil lubricated.

CP Series represents a range of horizontal centrifugal pumps suited for handling low-viscosity, clean or slightly contaminated liquids. The pump is designed to EN 733 (DIN 24255); however the number of available types is somewhat larger, which provides a wider hydraulic field.

A characteristic of the CP Series is the large number of material, shaft seal and bearing system options. The modular design offers maximum interchangeability between the variants. Hence CP Series is able to handle most pump duties. If more sophisticated components are required, only the relevant bearing or shaft seal module needs to be replaced with the one having the right specifications.

The Back Pull Out design greatly facilitates maintenance of the CP Series. Thanks to the similarity between the structural parts, the stock of spare parts can be limited.



Product Application & Key Features

Key Features

- Available in various materials
- Only 5 Shaft Groups for the whole range allows for a great interchangeability of parts
- Suitable for a wide range of duties
- Mechanical seals according to the EN 12756 (DIN 24960)
- Available in Gland Packing & Mechanical Sealing Options.
- Single & Double Cartridge Seal Options
- Oil or Grease Lubrication for Ball Bearings
- Back Pull-Out Design for easy maintenance saving a lot of time
- Parts are always available for immediate servicing and lowest downtime of your plant
- easy maintenance design



Industrial Usage

Designed in compliance with the industrial standard EN 733 (24255) and available in several materials with multiple gland and seal types make it the go-to choice for industrial uses.



General Purpose Uses

Applicable in Utility Buildings as General Duty Pumps, Circulation Pumps and heating Systems along with water purification plants as well.



Agricultural Usages

Building Water Transfer



Marine Applications



Pump casing:

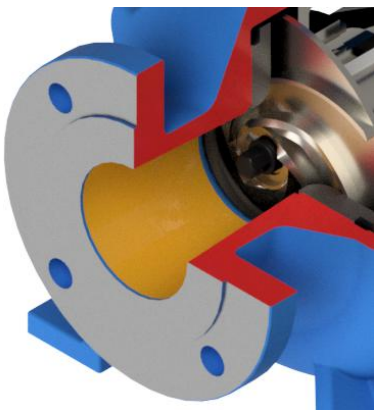
- flanges according to ISO 7005 PN 10 / PN 16
- max. working pressure 1000 kPa (16 bar)
- wide range of applications
- large drain opening for complete and fast draining of the Casing

Pump performance:

- optimised volute design for high efficiency
- smooth surfaces
- minimum internal losses

Pump cover:

- flat gasket, fully chambered
- no gasket blow-out
- machined fits
- integrated stuffing box/ mechanical seal chamber
- perfect alignment of all components

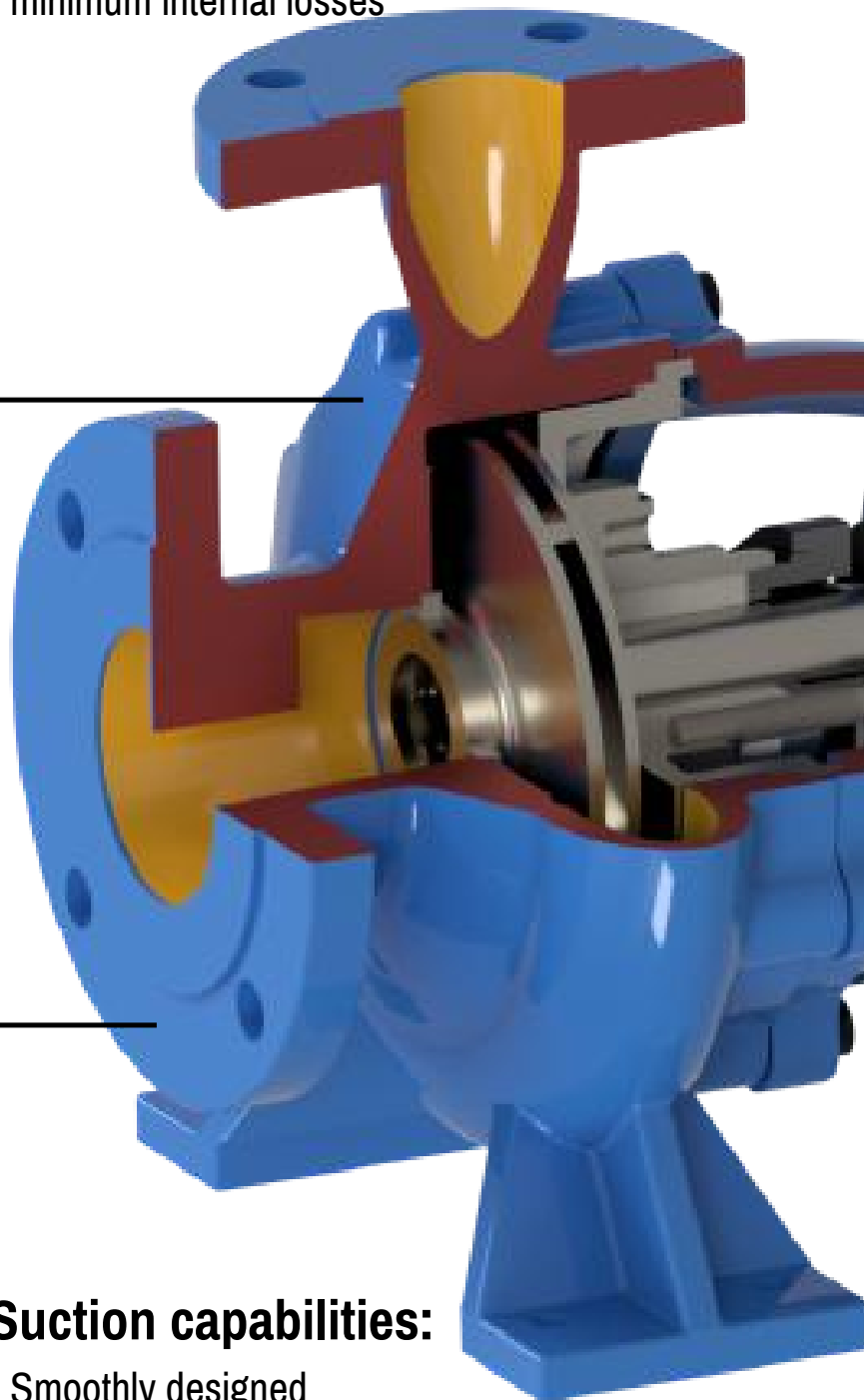


Impeller Choices:

- closed impeller with casing wear ring
- half-open impeller with wear plate

Suction capabilities:

- Smoothly designed suction entry for optimum NPSH
- minimal flow distortion giving better suction capabilities



Oil lubrication:

- breather / filling plug on top
- oil bath
- oil sight glass
- constant level oiler
- Large drain plug

Bearings:

- 2-deep groove ball bearings sealed for life or oil lubricated double row angular contact bearing and roller bearing greased for re-lubrication or oil lubricated

Easy and low cost maintenance:

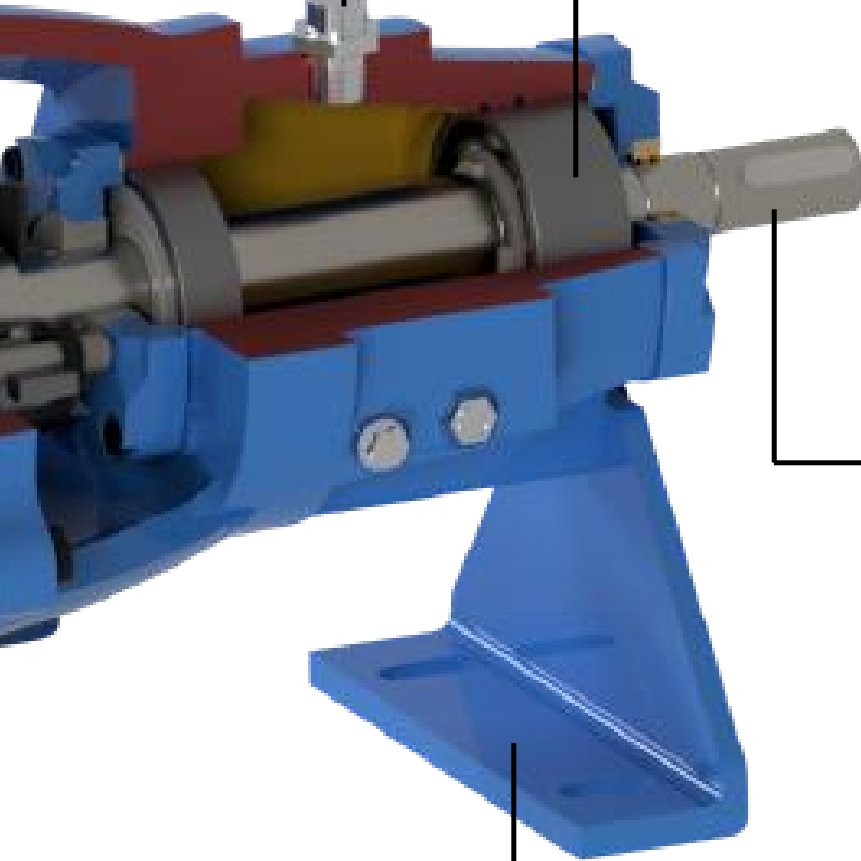
- Back Pull Out principle
- reduced maintenance downtimes, quick and easy impeller replacement
- reduced maintenance costs
- cartridge seals
- changeable wear ring
- reduced maintenance cost

Shaft:

- steel alloy or stainless steel shaft
- rigid, reliable shaft
- most seal options with shaft sleeve (extended impeller key ensures co-rotation of the shaft)
- no contact between shaft and pumped liquid when shaft sleeve applied
- Several types of shafts sealing options available according to EN 12756(DIN 24960) Std. including cartridge seals
- Mechanical seal available in option such as quenched mechanical seal or cooling/heating jacket

Foot:

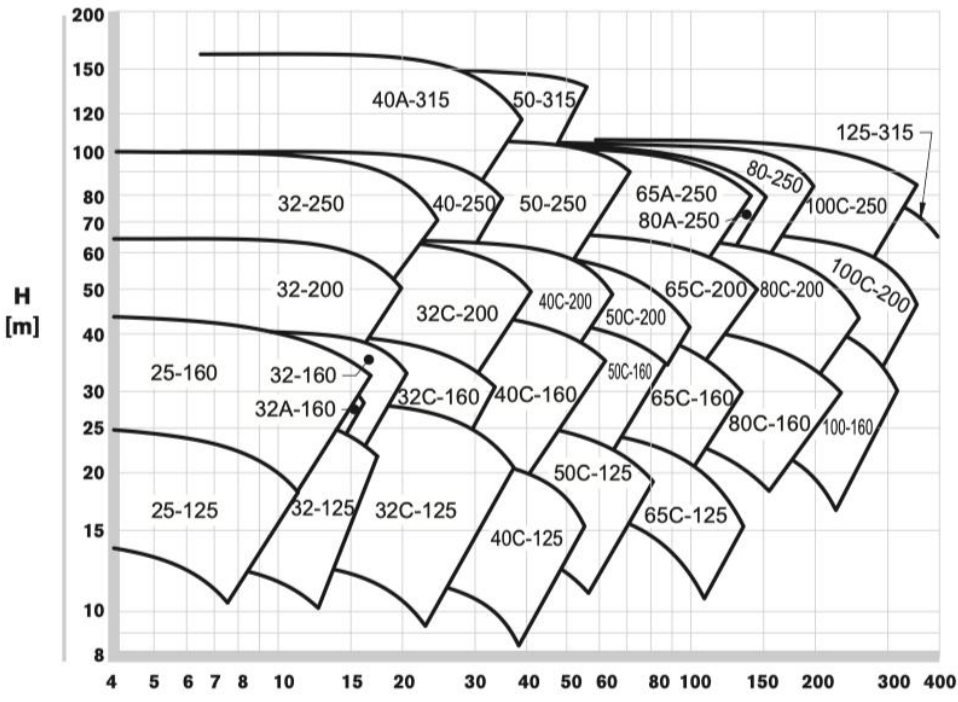
- machined foot
- exact positioning on baseplate and in pipework



Technical Data

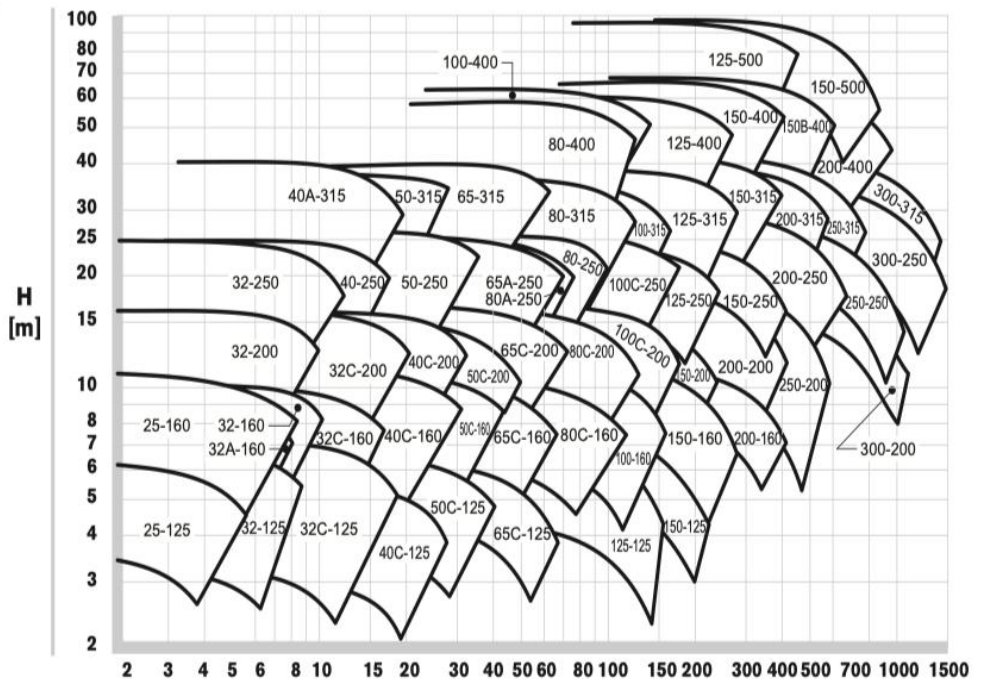
Technical Specs

Max Capacity 1500 m³/Hr
Max Head 160 m
Max Working Pressure 1600kPa (16 Bar)
Max Temperature 200 °C
Max Speed 3600 rpm



3000 rpm

Q
m³/hr

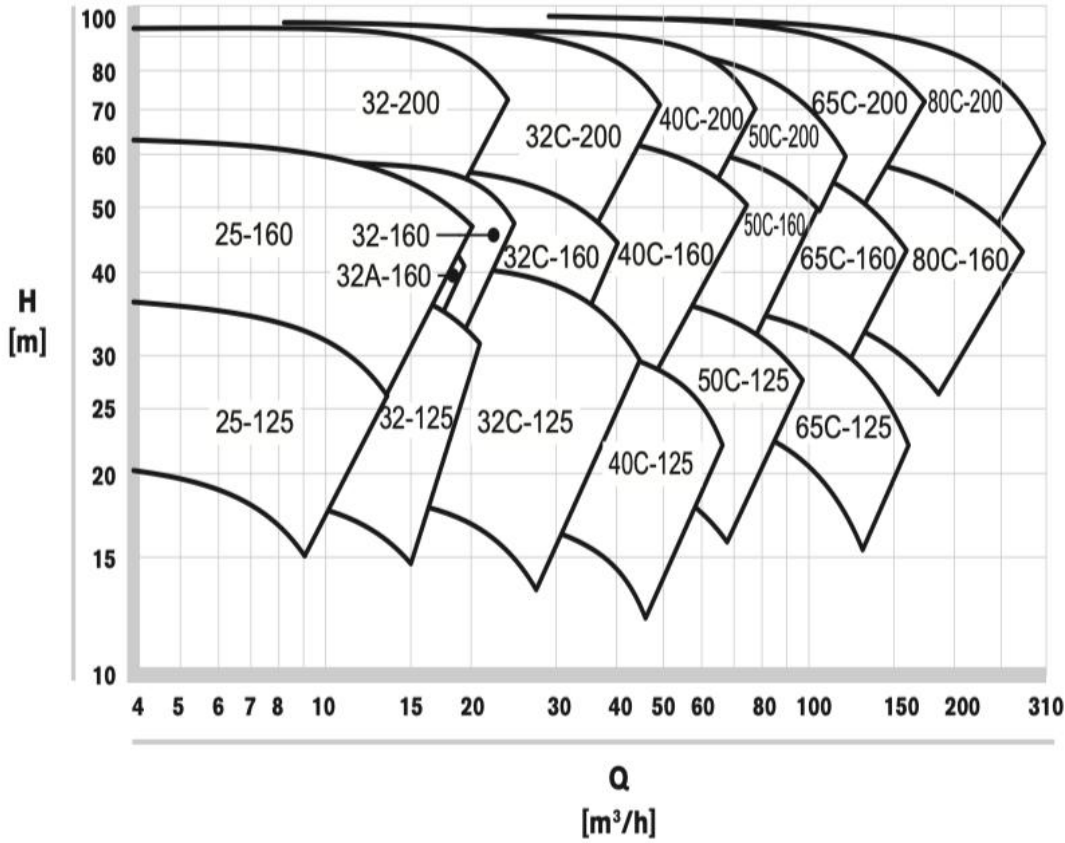


1500 rpm

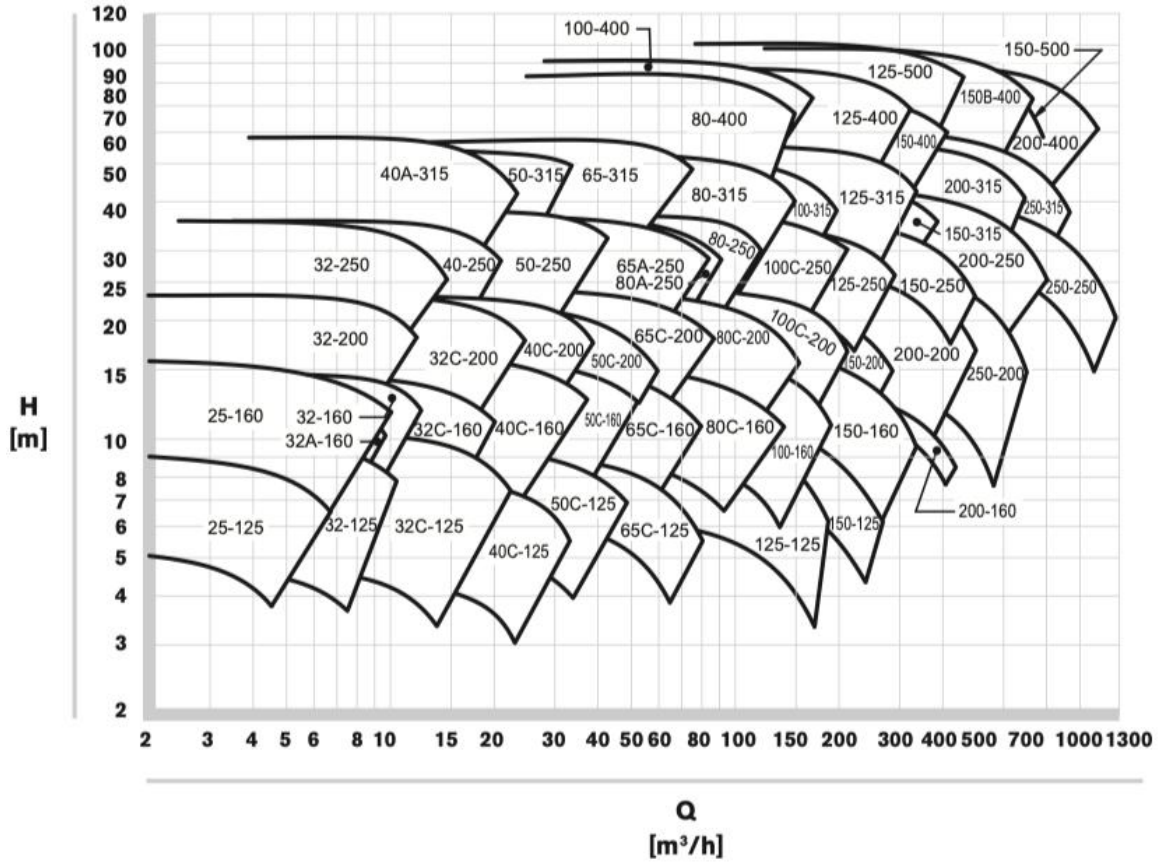
Q
m³/hr



Technical Data



3600 rpm



1800 rpm



Our Design Insights

Product Testing

Everybody Knows This, You cant sell a product in which you dont trust.

Neither do we.

With our inhouse performance test facility, we sell what we believe has worked and designed with utmost precision. Perfect selection and test certificates ranging from Material Certification to Performance Results, everything is available to our customers at a moment's Notice.

Infact, our customers can arrange a visit to our production facility for onsite testing whenever they please.

We are'nt just giving you products, we provide trust.



Product Design

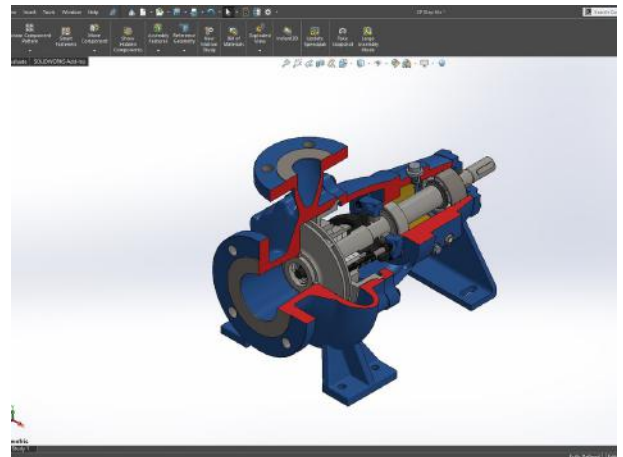
Nobody likes a product that doesnt seem reliable and well designed.

Neither do we.

With Solidworks 3D Design software and CSWA & CSWP Certified Personnel, we have upped the game of our design strategies with amazingly detailed Research and Simulation runs on our individual products with amazing degree of finesse.

It saves us time and you as our customer, from buying a faulty product.

Our design team works closely with the customer for enhanced support and pre-install troubleshooting.



Wel-tech Equipments PVT LTD

**Address: Plot No. 57/9 Phase 1, near Kiran Industries,
Vatva GIDC, Vatva, Ahmedabad, Gujarat, India. 382445**

**Email: hiteshramoliam34@gmail.com,
marketing@weltechpumps.com**

Phone: 8238996993, 9925040029, 9825328937