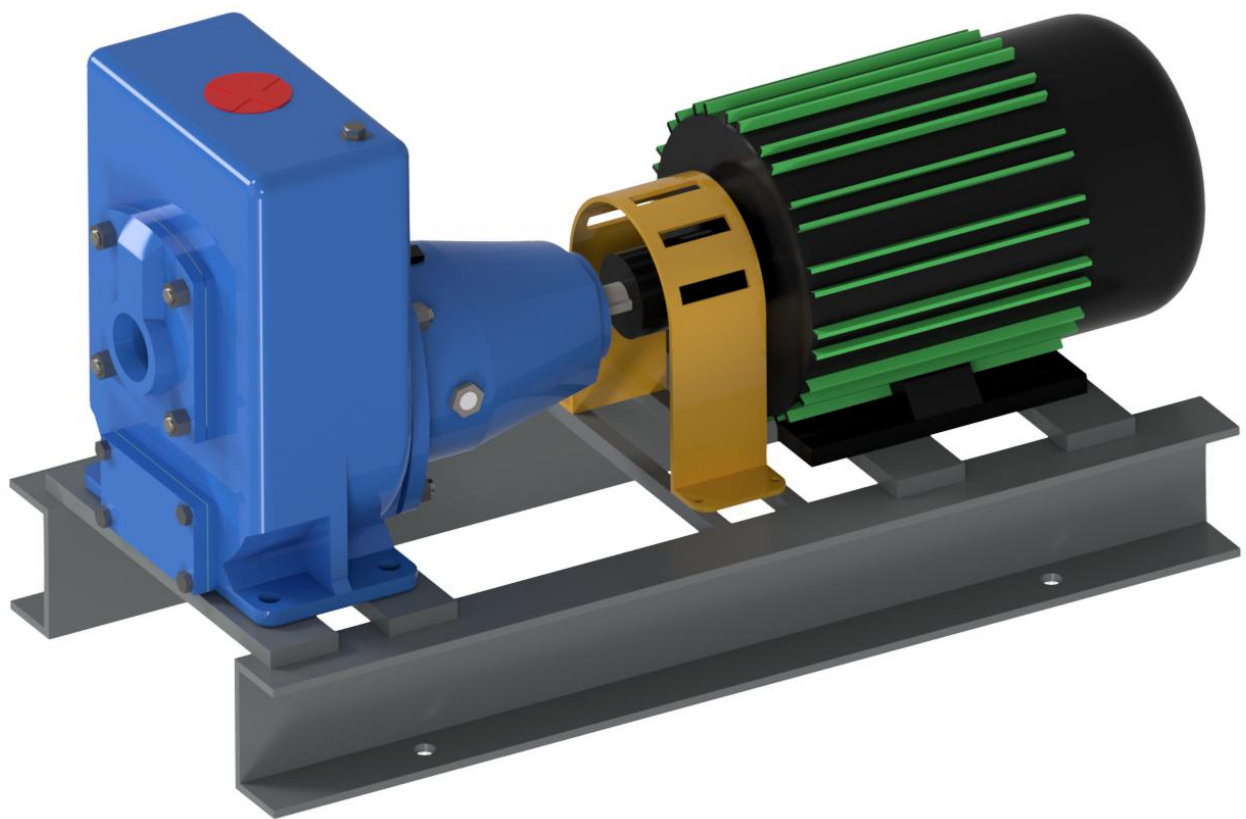


# Product Catalog

## Self Priming Centrifugal Pump "SM" Series



**WEL-TECH  
EQUIPMENTS PVT LTD**

Centrifugal Process Pumps

# Product Application & Key Features

## Key Features

- Easy Back Pull Out Design
- Designed with minimum downtime in mind
- Hasslefree installation
- Zero Leakage Design
- Improved and efficient Impeller Designs
- Efficient and high capacity in a compact design
- Space Saving and Practical Design
- Various Mechanical Sealing options available



## Industrial Usage

Designed in compliance with the industrial standard EN 733 (24255) and available in several materials with multiple gland and seal types make it the go-to choice for industrial uses.



## General Purpose Uses

Applicable in Utility Buildings as General Duty Pumps, Circulation Pumps and heating Systems along with water purification plants as well.



## Agricultural Usages

## Building Water Transfer



## Marine Applications



## Our Company

Manufacturer

of centrifugal process pumps with utmost quality standards and wide range of pumping solutions for any customer needs sets us apart as one of the most established manufacturer in India.

Strict

quality standards and our drive to develop the most power efficient pumping solutions have centralized us as the most diverse and efficient manufacturer with products available in all segments from simple water transfer pumps to strict FDA certified Pumping solutions in chemical and pharmaceutical industries.

Based in

Ahmedabad, Gujarat, India

With

service support across the globe through various and well connected suppliers and dealers, our global footprint allows us with a wide network of business and supply. We can supply spares and pumps within a small time frame to ensure a steady drive in your business with lowest possible downtime.

We pride in

our customer support and always on hand approach, marketing teams are guided and offer support anytime anywhere. We do not believe in routing our customers through various channels for sales and support.

The contact

you save is the contact you will call for all your needs.

## Self Priming Centrifugal Process Pumps "SM"

The SM pump is suitable for transferring liquids clean or polluted in nature, these pumps can be used in applications requiring a self priming pump with a negative suction of upto 7.5 mtr such as draining building, pond, ditches and swimming pools, these are the go to pumps for agricultural uses as well as sewage plants.

These pumps usually come in Semi-Open and Closed impeller type to fit your specific needs

Our Quality Mechanical Seals provide optimum seal for Zero-Leakage scenarios from transferring volatile liquids such as petroleum, alcohol and other flammable or corrosive applications ensuring a safe environment around it wherever our pumps are deployed and installed.

Safety matters:

Some Seal type arent fit for specific liquids, and hence SM series self priming centrifugal pumps come in multiple choices of seal type. Our team will also provide the best seal configuration for your use case scenario if you contact us with your queries.

Available Seal Types

- STD (Carbon VS Ceramic With NBR elastomer)
- CCV (Ceramic VS Ceramic with Viton elastomer)
- CCT (Silicon Carbide VS Silicon Carbide with PTFE elastomer)
- SSV (Silicon Carbide VS Silicon Carbide with Viton Elastomer)



# SM Bare Pump

## Pump performance:

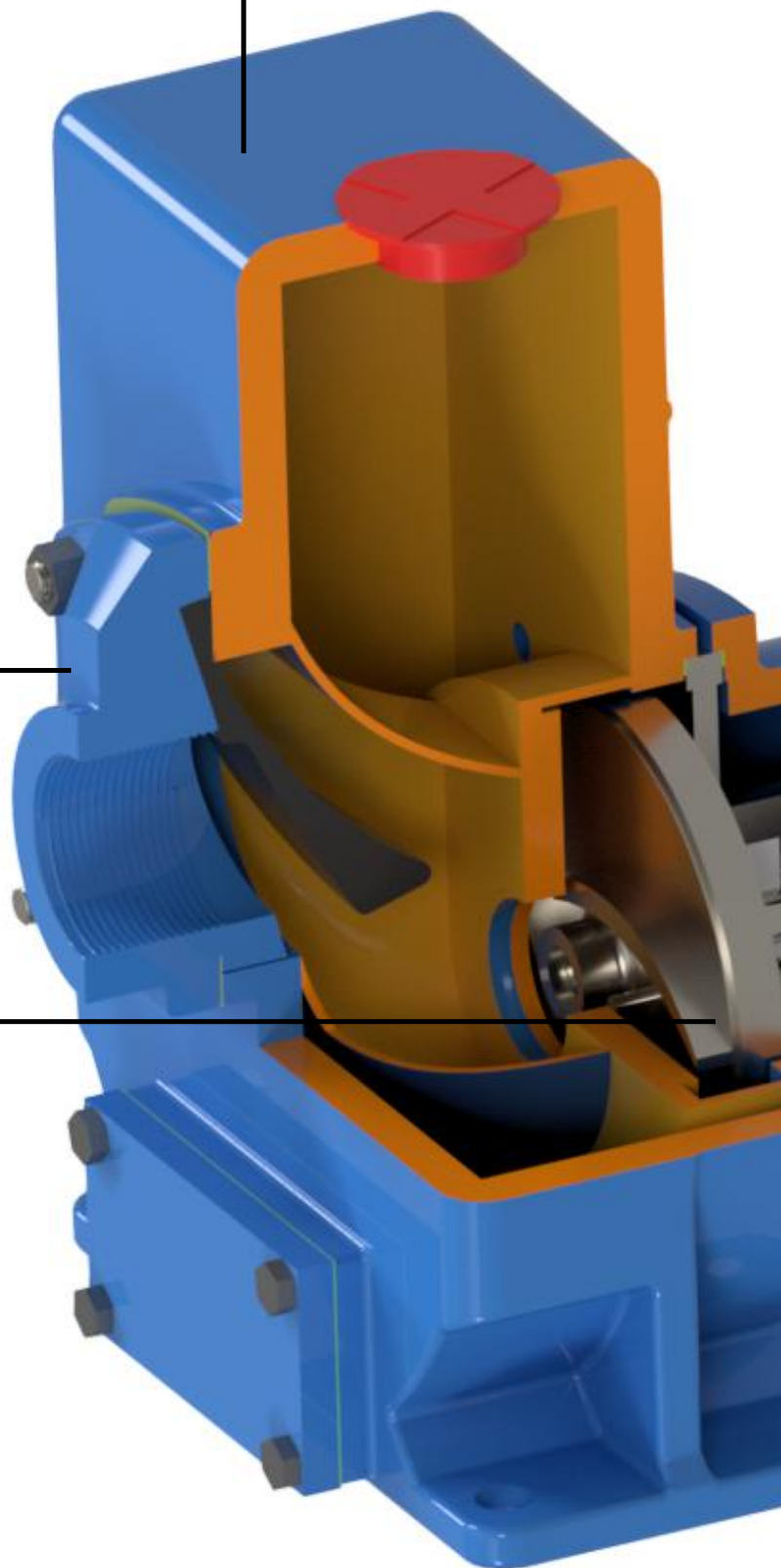
- optimised volute design for high efficiency
- smooth surfaces
- minimum internal losses

## Suction capabilities:

- Smoothly designed suction entry for optimum NPSH
- minimal flow distortion giving better suction capabilities

## Impeller :

- half-open impeller







## Oil lubrication:

- breather / filling plug on top
- oil bath
- oil sight glass
- constant level oiler
- Large drain plug

## Shaft:

- steel alloy or stainless steel shaft
- rigid, reliable shaft
- most seal options with shaft sleeve (extended impeller key ensures co-rotation of the shaft)
- no contact between shaft and pumped liquid when shaft sleeve applied with Mechanical seal

## Bearings:

- 2-deep groove ball bearings sealed for life or oil lubricated double row angular contact bearing and roller bearing greased for re-lubrication or oil lubricated

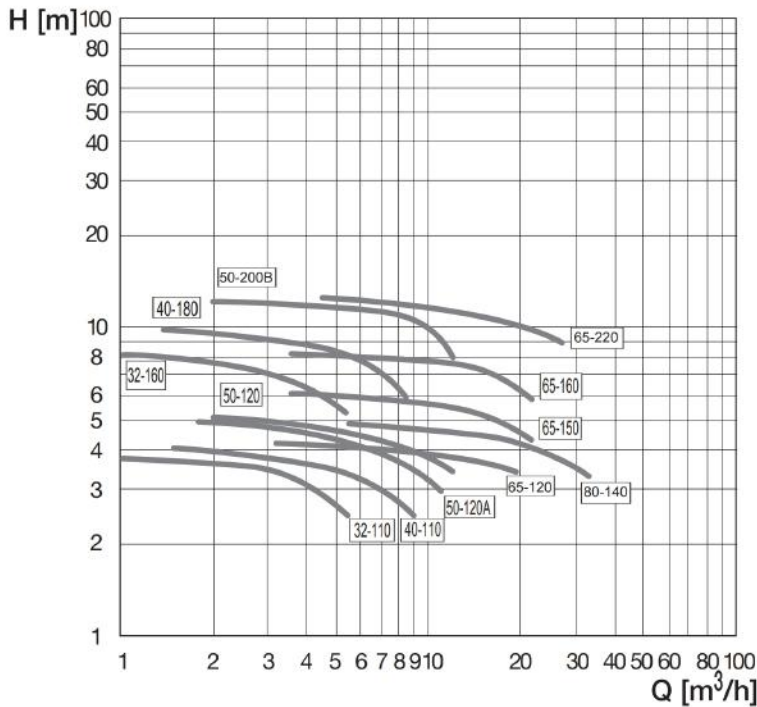


# Technical Data

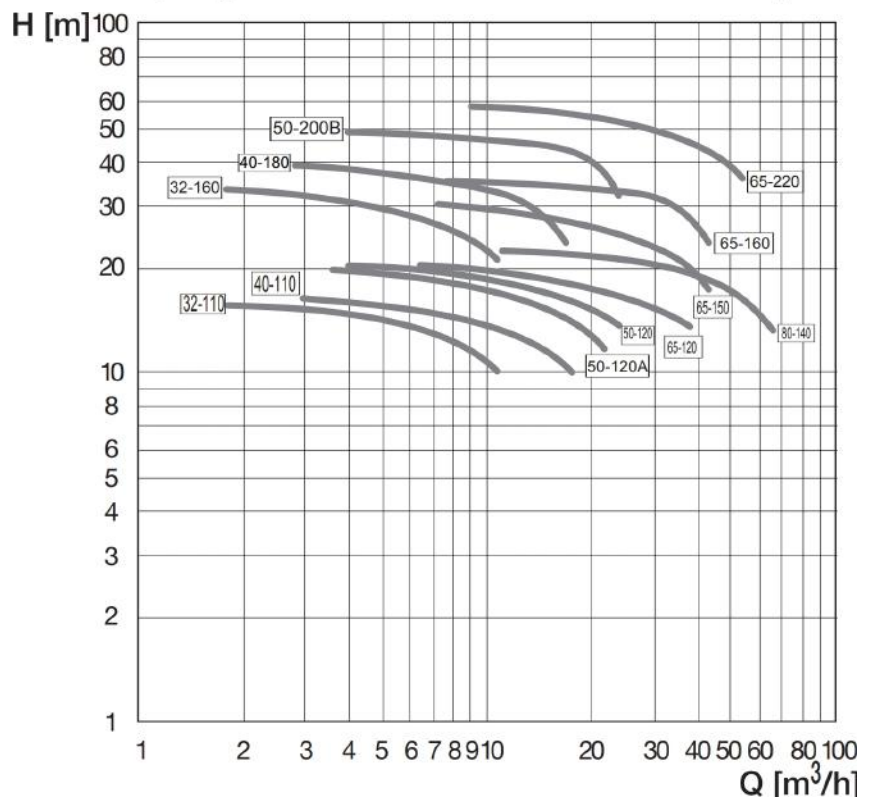
## Technical Specs

Max Capacity 100 m<sup>3</sup>/Hr  
Max Head 60 m  
Max Working Pressure 800kPa (8 Bar)  
Max Temperature 95 °C  
Max Speed 3600 rpm

1450 rpm



2900 rpm



# Technical Data

## Model Selection

TYPE SM	3	6	9	12	15	18	24	30	36	45	60	75	M <sup>3</sup> /HR	SIZE *	MM**	KG
32-110	15.2/0.43 0.6	13.7/0.55 1.5	11.5/0.63 2.8	9.0/0.68 4.3									Hm / KW NPSHR	1 1/4"	7.5	15
40-110	16.3/0.68 0.6	15.2/0.71 1.1	14.2/0.75 1.3	13.0/0.79 1.9	11.6/0.84 2.9	10.0/0.9 4.8								1 1/2"	12	17
50-120-A	20.0/1.10 1.2	19.0/1.12 1.25	17.8/1.16 1.4	16.5/1.21 1.6	15.4/1.29 2.1	14.0/1.36 2.8	10.2/1.49 5.0							2"	10	30
50-120		19.8/1.10 1.2	18.9/1.17 1.3	18.0/1.22 1.6	17.1/1.29 2.0	16.1/1.36 2.8	13.7/1.56 5	10.3/1.73 7.3						2"	13	30
65-120				19.2/1.58 0.9	18.5/1.60 1.0	18.0/1.66 1.1	16.7/1.79 1.5	15.5/1.97 1.9	14.4/2.15 2.7	12.0/2.45 4.4	4.0/2.65 9.2			2 1/2"	20	40
80-140					22.5/2.7 1.7	22.0/2.8 1.7	21.0/3.0 1.7	20.5/3.2 1.8	19.8/3.4 2.0	18.5/3.6 2.6	15.0/3.8 4.4	10.2/3.8 7.5		80mm	24	46
65-150				29.0/2.85 1.5	28.0/2.95 2.0	27.0/3.05 2.2	25.0/3.25 2.7	23.0/3.5 3.4	20.8/3.7 4.4	16.0/3.95 6.3				2 1/2"	11	40
32-160	32.0/1.25 0.35	28.5/1.41 1.1	24.3/1.56 2	19.2/1.73 4.3	10.0/1.84 8.0									1 1/4"	6	26
65-160				35.0/3.55 2.5	34.5/3.7 2.5	34.0/3.2 2.6	32.4/4.25 3.0	31.0/4.6 3.8	29.0/4.95 5.4	22.5/5.3 7				2 1/2"	12	40
50-200 B		48.0/3.44 2.3	47.5/3.75 2.2	46.0/4.10 2.2	44.0/4.4 2.6	43.0/4.71 3.4	33.0/5.28 6.8							2"	3	90

\* Suction & Discharge Port Dimensions

\*\*Max Permissible Solid Size

TYPE SM	Motor Kw/HP	Suc*Dis	Imp Dia	Head in Mtr	24	28	36	40	44	46		Solid Handling	Speed 50Hz
80-190	7.5/10	80*80	194mm	Capacity (m <sup>3</sup> /hr)	68	65	45	31	16	7.2		14.5 MM	2900RPM

50Hz 2900 RPM



# Our Design Insights

## Product Testing

Everybody Knows This, You cant sell a product in which you dont trust.

**Neither do we.**

With our inhouse performance test facility, we sell what we believe has worked and designed with utmost precision. Perfect selection and test certificates ranging from Material Certification to Performance Results, everything is available to our customers at a moment's Notice.

Infact, our customers can arrange a visit to our production facility for onsite testing whenever they please.

We are'nt just giving you products, we provide trust.



## Product Design

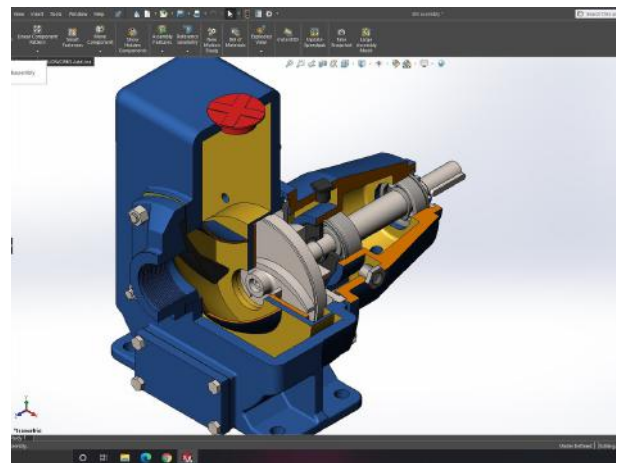
Nobody likes a product that doesnt seem reliable and well designed.

**Neither do we.**

With Solidworks 3D Design software and CSWA & CSWP Certified Personnel, we have upped the game of our design strategies with amazingly detailed Research and Simulation runs on our individual products with amazing degree of finesse.

It saves us time and you as our customer, from buying a faulty product.

Our design team works closely with the customer for enhanced support and pre-install troubleshooting.



# Wel-tech Equipments PVT LTD

**Address: Plot No. 57/9 Phase 1, near Kiran Industries,  
Vatva GIDC, Vatva, Ahmedabad, Gujarat, India. 382445**

**Email: [hiteshramoliah34@gmail.com](mailto:hiteshramoliah34@gmail.com),  
[marketing@weltechpumps.com](mailto:marketing@weltechpumps.com)**

**Phone: 8238996993, 9925040029, 9825328937**