

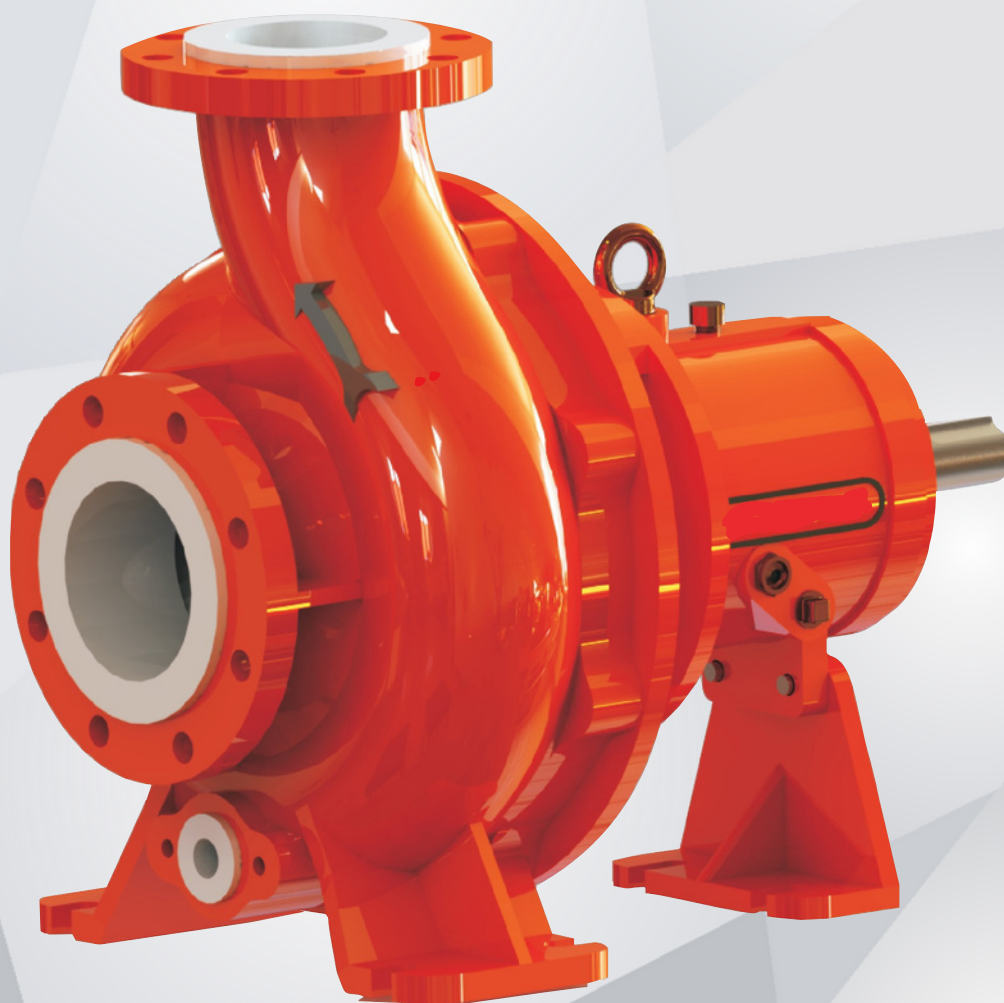
®



WELTECH PUMPS

WPVDF-SERIES

ISO STANDARD END-SUCTION CENTRIFUGAL PUMPS



CORROSION RESISTANCE LINED PUMP

| ISO-2858 ISO-5199

PRODUCT OVERVIEW

WPVDF Series are Fluoropolymerlined horizontal, back pull-out and end suction centrifugal pump. Dimensional & design criteria of SEL series pump conform to ISO-2858, ISO-5199 . Fluoropolymer lined pumps are excellent for hazardous, corrosive and toxic media.

Operating Frequency	50Hz
Capacity (Q)	1000 m3/hr
Head (H)	95 m
Motor Power (P)	450 kw
Maximum Working Pressure	16 Bar
Maximum Specific Gravity	2
Maximum Specific Gravity	2
Minimum Continuous Flow	2.5 m3/hr
Maximum Working Temp.	FEP:180°C, PFA:200°C, PVDF:110°C
Suction & Delivery Connection	ANSI B16.5-Class 150
Shaft Seal	Single & Double Mechanical Seals
Lubrication	Oil
Motor Compatibility	IS 1231, IEC 72-1, NEMA

APPLICATION

Steel Plant, Pickling Plant, Scrubbing.
High Temperature & Hazardous Toxic Chemical.
Pharmaceutical Industries.
üAcidic & Alkaline Chemicals of Chlor Alkali Industries.

STUFFING BOX :-

Fluoropolymer lined stuffing box to accommodate single & double mechanical seal without any modification.
Back pull out design provide safe, simple & quick assembly & disassembly of pump.

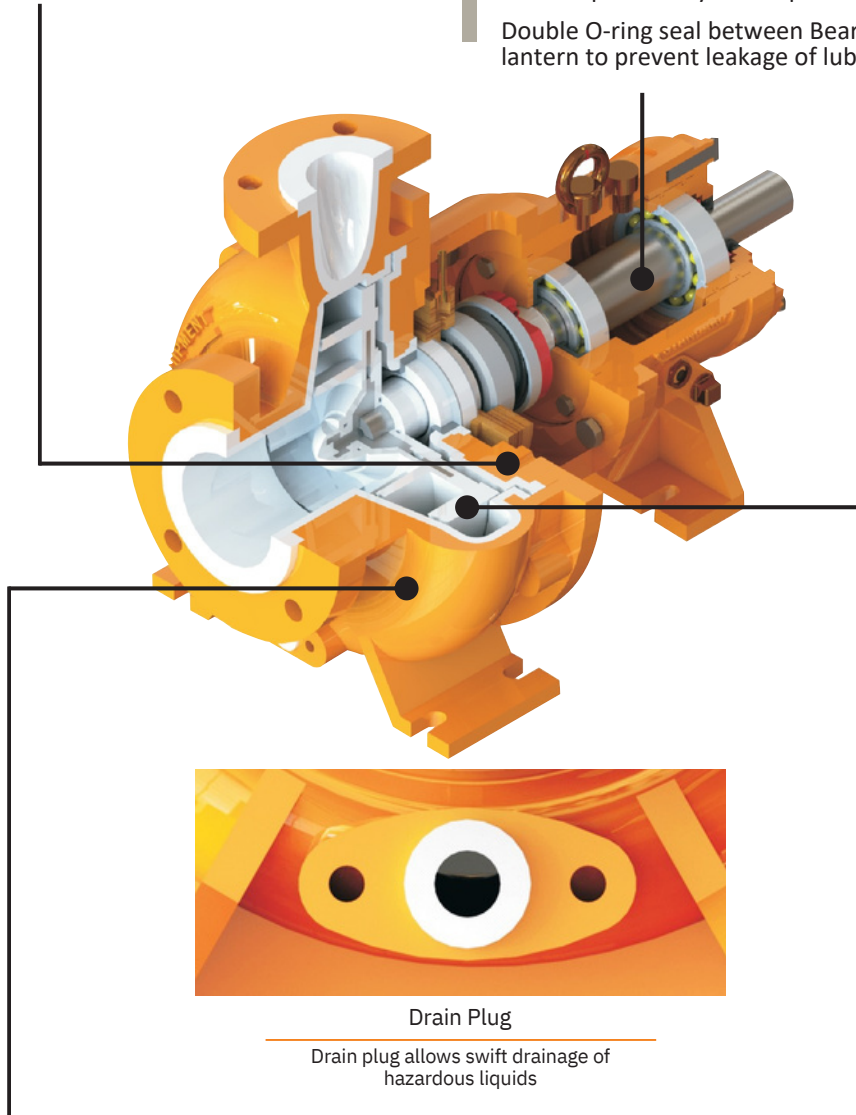
SHAFT & BEARING :-

Heavy duty shaft design for minimum deflection.
Maximum 0.05mm deflection at stuffing box at maximum load.

Large capacity oil sump result in effective heat transfer for cooler bearings & extending bearing life.

Telescopic arrangement for semi-open impeller enables adjustment of impeller front clearance to obtain optimum hydraulic performance

Double O-ring seal between Bearing housing & lantern to prevent leakage of lubrication oil.



VOLUTE CASING :-

Heavy, Centre line discharge with Volute casing design in fluoropolymer lined construction provide the pressure handling capability & efficiency and smooth transfer of pump media from exit of the impeller to delivery.
Thick wall polymer moulded inside metal armour to ensure strong support to polymer specially at high temperature.

Top discharge, self-venting, back pull put.

Flow optimum hydraulic design.

Option for drain plug for easy & safe drain & maximizes pump life.

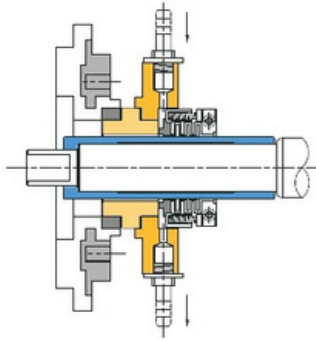
IMPELLER :-

Hydro dynamically optimized semi-open radial impeller designed.

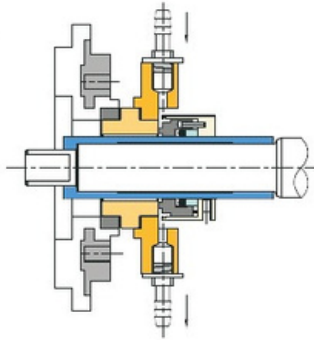
Axial forces are balanced with balancing holes & back vanes.

Positive locking of impeller & shaft prevent due to wrong rotation & ensure maximum torque transmission.

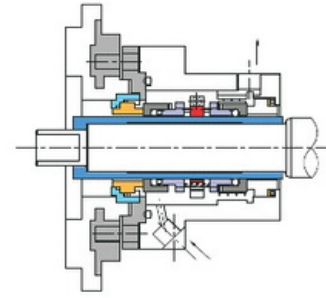
MECHANICAL SEAL OPTION



Single PTFE Below Seal

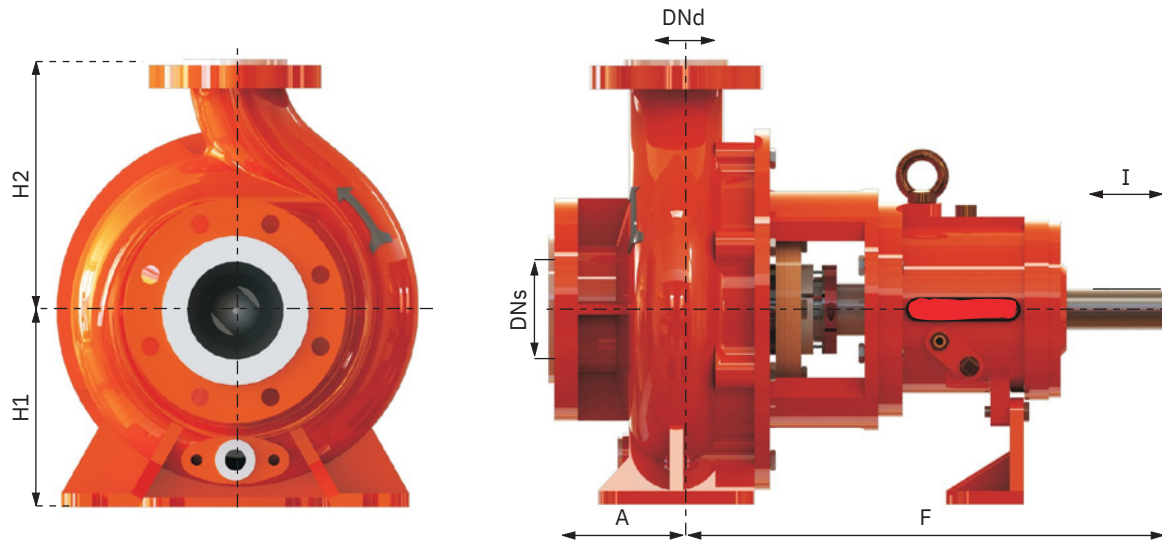


Single Pusher Seal



Double Pusher Seal

Available in Single & Double mechanical seal option.
We provided API plan applicable seal in our stuffing box.



MODELS							
	DNs	DNd	a	f	h1	h2	l
50x32-125	50	32	80	385	112	140	50
50x32-160	50	32	80	385	132	160	50
50x32-200	50	32	80	385	160	180	50
65x40-160	65	40	80	385	132	160	50
80x50-200	80	50	100	385	160	200	50
80x50-250	80	50	125	500	180	225	50
80x65-160	80	65	100	385	160	200	50
100x65-250	100	65	125	500	200	250	80
125x80-315	125	80	125	530	250	315	80
125x100-315	125	100	140	530	250	315	110
150x125-315	150	125	140	530	280	400	110
150x125-400	150	125	140	530	315	400	110
200x150-315	200	150	160	670	315	400	110
250x200-400	250	200	180	625	355	500	110
300x250-315	300	250	250	625	400	550	110
300x250-400	300	250	250	700	375	550	140



Wel-tech Equipments PVT LTD

Address: Plot No. 57/9 Phase 1, near Kiran Industries, Vatva GIDC, Vatva,
Ahmedabad, Gujarat, India. 382445 Email: hiteshramolija34@gmail.com,
marketing@weltechpumps.com Phone: 8238996993, 9925040029,
9825328937